



XingYue Communication Technology Co., Ltd.

Product Name: Panel Antenna

Product Model: XY221311

Electrical Specifications	
Frequency Range	2300-2700MHz
Polarization Type	$\pm 45^\circ$
Gain	$15 \pm 1\text{dBi}$
VSWR	$\leq 1.5:1$
Horizontal Beamwidth	$65^\circ \pm 8^\circ$
Vertical Beamwidth	$15^\circ \pm 3^\circ$
Front-to-back Ratio	$\geq 28\text{dB}$
Isolation Between	$\geq 28\text{dB}$
Input Impedance	50Ω
Max Power	100 W
Lightning Protection	DC Ground
Mechanical Specifications	
Connector Type	2*N Female
Dimensions (L*W*H)	450*165*85mm (17.7*6.5*3.3in)
Radiating Element Material	Aluminum
Reflector Material	Aluminum
Weight	4kg
Radome Material	UPVC
Radome Color	Gray
Mounting Pole	$\Phi 40 \sim 70\text{mm}$
Operating Temperature	$-40^\circ\text{C} \sim 60^\circ\text{C}$
Max Wind Velocity	200 km/h
Waterproof treatment	IP-65

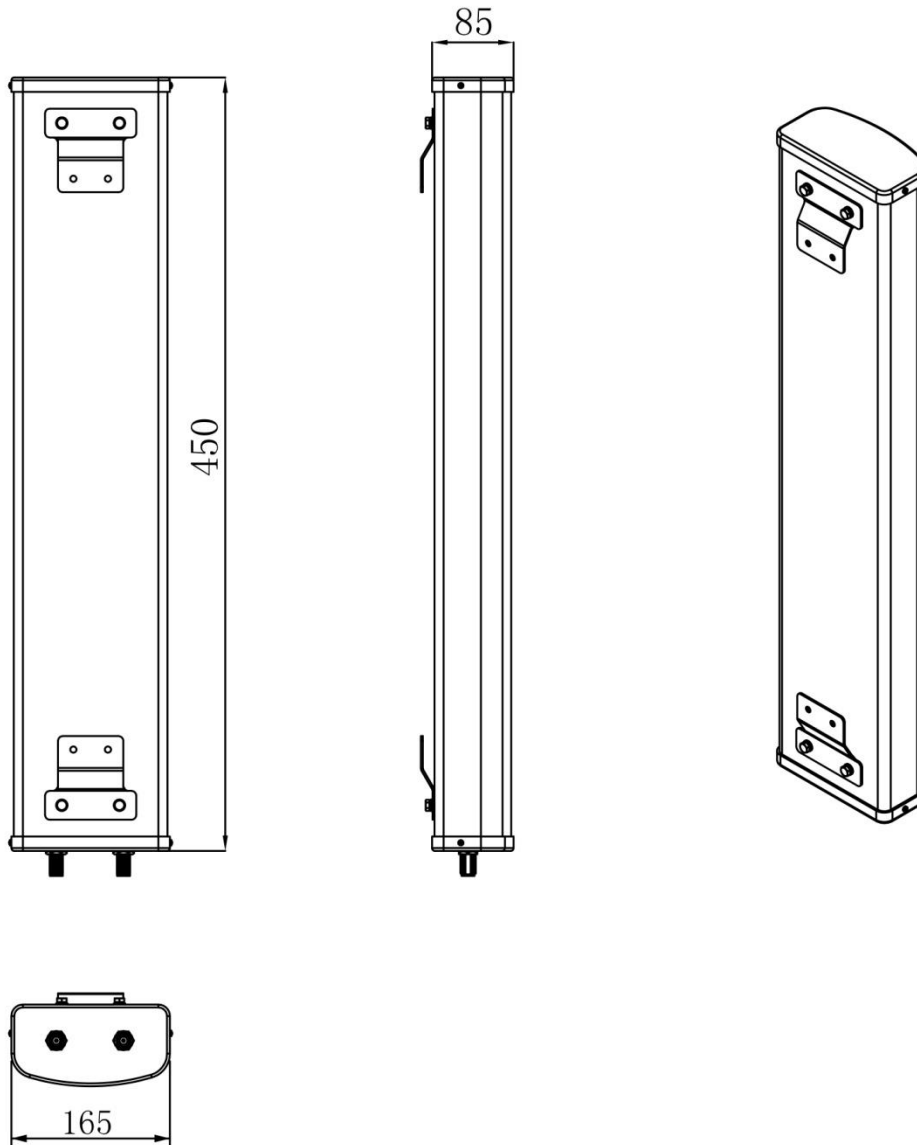


Add:No.11 GuangMing new RD, DongCheng area, DongGuan City, China
Tel: +86 - 769-22333955 **Fax:** +86 - 769-22000020
E-mail:xingyue@xytx86.com **Website:**<http://xytx86.com>

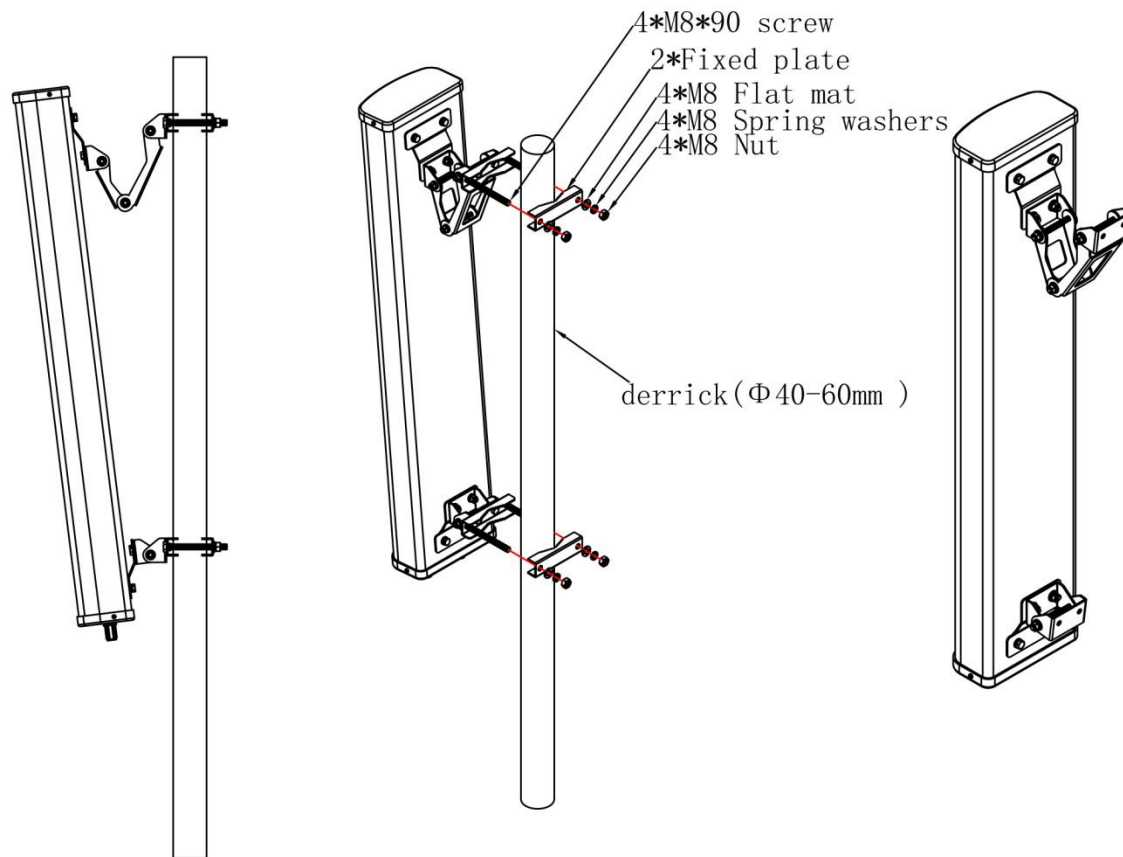


XingYue Communication Technology Co., Ltd.

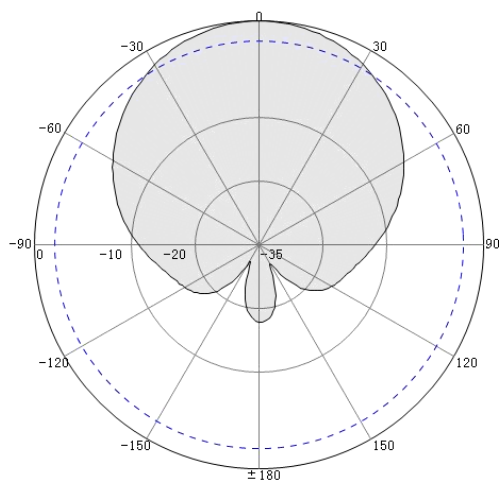
Product Diagram:



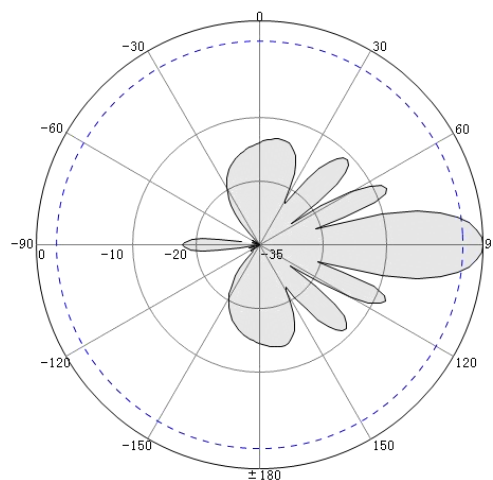
Installation Guide:



Directional Pattern:



2500MHz-Horizontal Pattern



2500MHz-Vertical Pattern