



# XingYue Communication Technology Co., Ltd.

Product Name: LTE Wall Mount Antenna

Product Model: XY111605

## Electrical Specifications

Frequency Range	698-800MHz	800-960MHz	1710-2700MHz
Polarization Type	Vertical		
Gain	6.5±1.0dBi	7.0±1.0dBi	9.0±1.0dBi
VSWR	≤1.8:1	≤1.8:1	≤1.5:1
Horizontal Beamwidth	90° ±8°	80° ±5°	65° ±5°
Vertical Beamwidth	65° ±3°	60° ±3°	55° ±3°
Front-to-back Ratio	≥12dB	≥13dB	≥15dB
PIM3@ (2*33dBm)	≤-140dBc		
Input Impedance	50 Ω		
Max Power	50W		

## Mechanical Specifications

Connector Type	N Female
Dimensions (L*W*H)	172*152*51mm (6.8*6.0*2.0in)
Radiating Element Material	Aluminum
Reflector Material	Aluminum
Weight	0.75kg
Radome Material	UABS
Radome Color	White
Mounting	Wall Mounting
Cable	RG141
Operating Temperature	-40°C~60°C

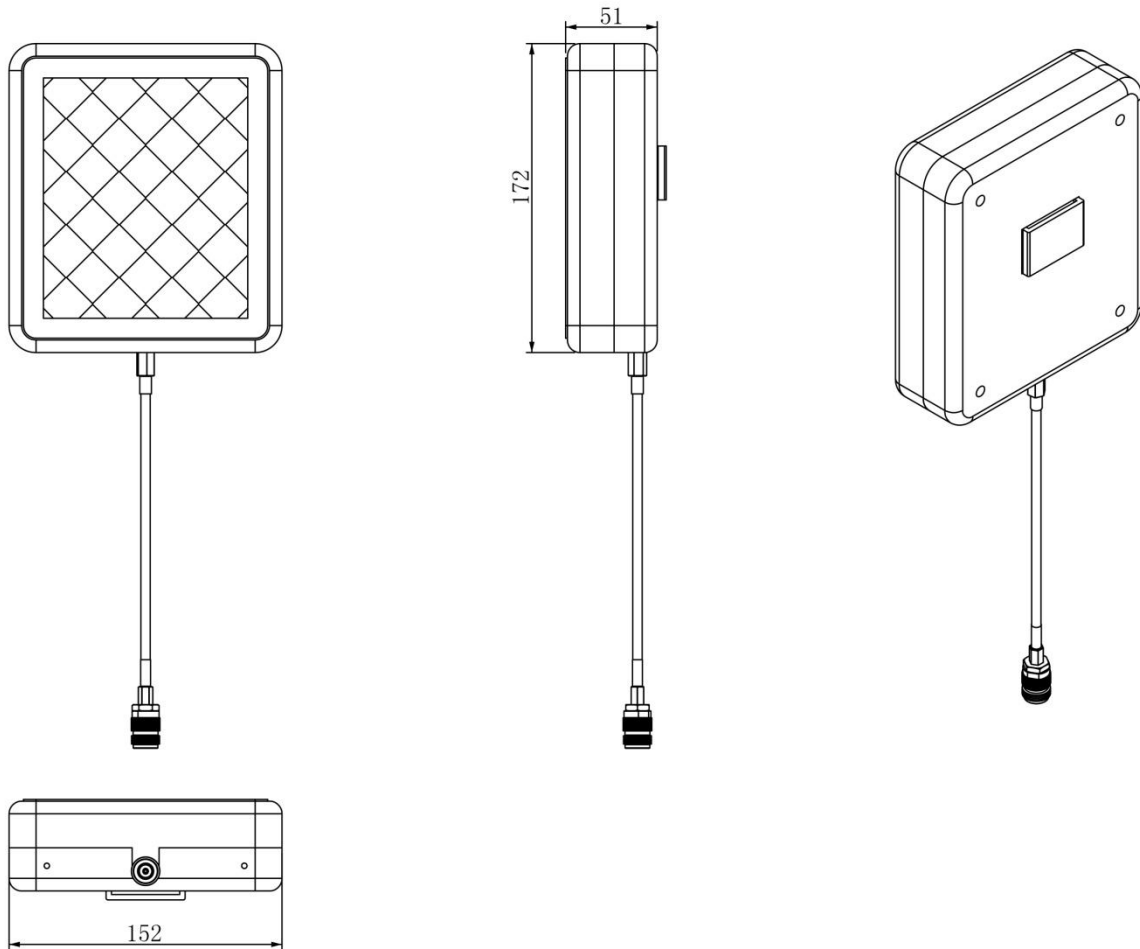


Add: No.11 GuangMing new RD, DongCheng area, DongGuan City, China  
Tel: +86 - 769-22333955 Fax: +86 - 769-22000020  
E-mail: xingyue@xytx86.com Website: <http://xytx86.com>

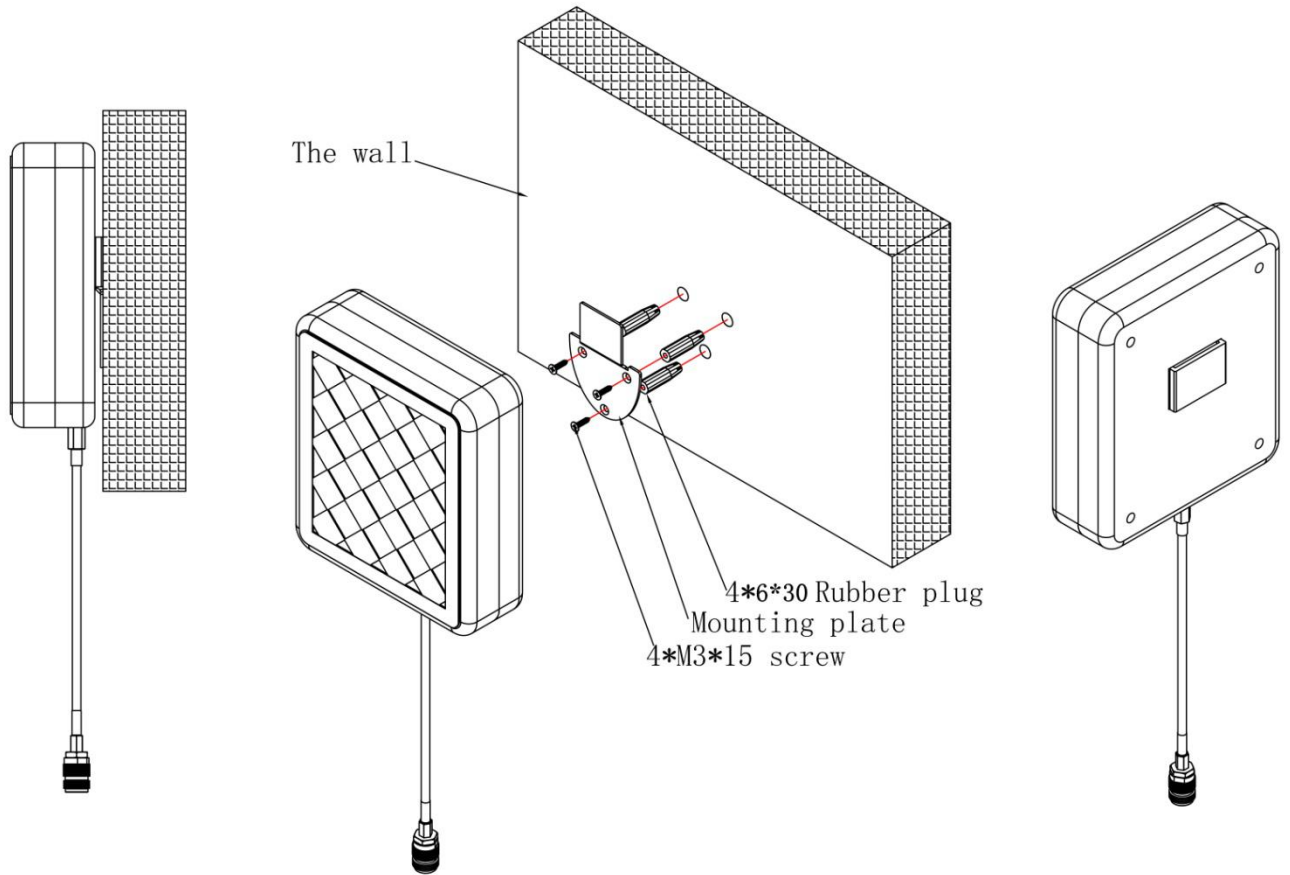


# XingYue Communication Technology Co., Ltd.

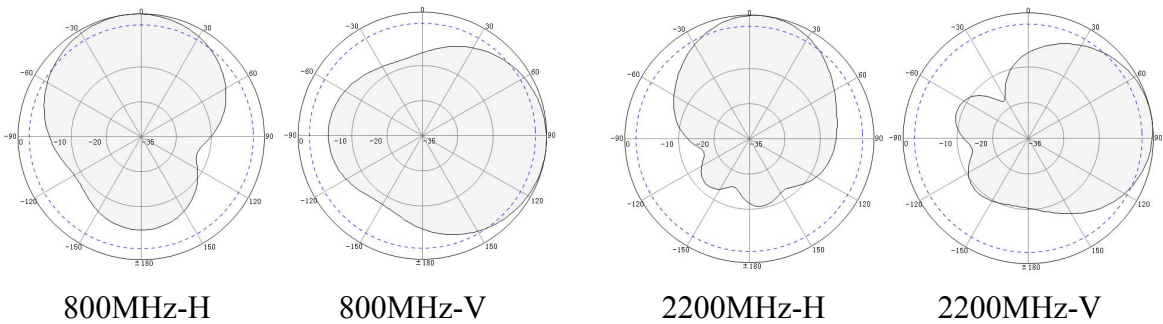
## Product Diagram:



## Installation Guide:



## Directional Pattern:



PS:

H: Horizontal Pattern

V: Vertical Pattern