



XingYue Communication Technology Co., Ltd.

Product Name: Circular Polarization Antenna

Product Model: XY211331

Electrical Specifications	
Frequency Range	2400-2500MHz
Polarization Type	LHCP
Gain	18.5dBi
VSWR	$\leq 1.5:1$
Horizontal Beamwidth	15°
Vertical Beamwidth	15°
Axial Ratio	≤ 3
Front-to-back Ratio	$\geq 25\text{dB}$
Input Impedance	50 Ω
Max Power	100W
Lightning Protection	DC Ground
Mechanical Specifications	
Connector Type	N Female
Dimensions (L*W*H)	450*450*35mm (17.7*17.7*1.4in)
Radiating Element Material	Aluminum
Reflector Material	Aluminum
Weight	2.7kg
Radome Material	ABS
Radome Color	Gray
Mounting Pole	$\Phi 45 \sim 65\text{mm}$
Operating Temperature	-40°C~60°C
Max Wind Velocity	200 km/h

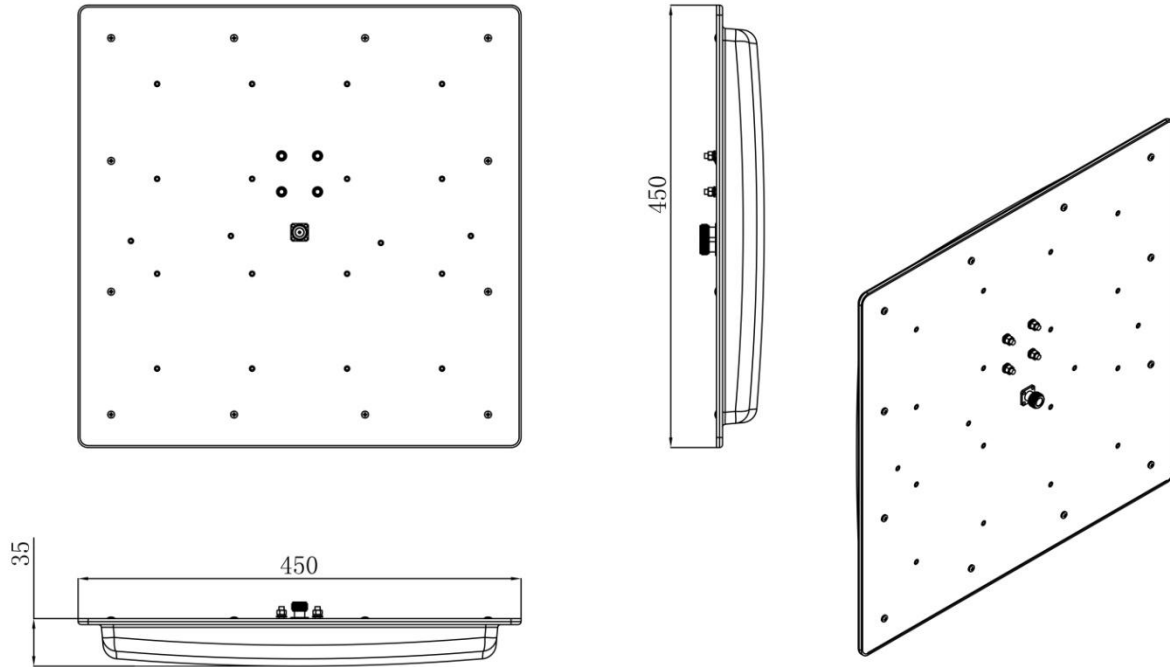


Add: No.11 GuangMing new RD, DongCheng area, DongGuan City, China
Tel: +86 - 769-22333955 **Fax: +86 - 769-22000020**
E-mail: xingyue@xytx86.com **Website: <http://xytx86.com>**

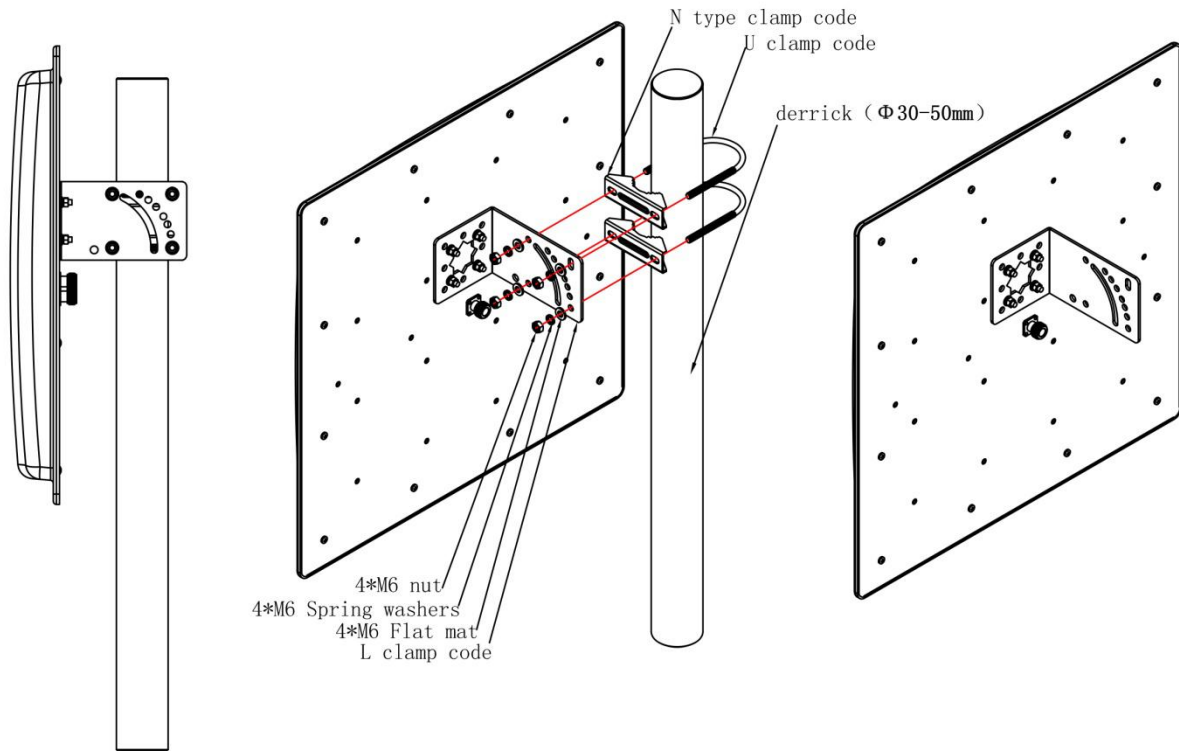


XingYue Communication Technology Co., Ltd.

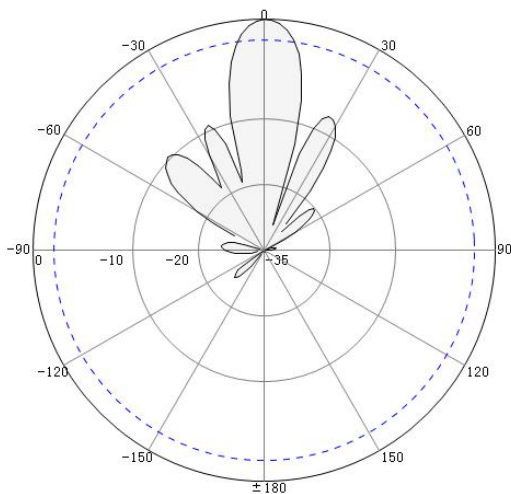
Product Diagram:



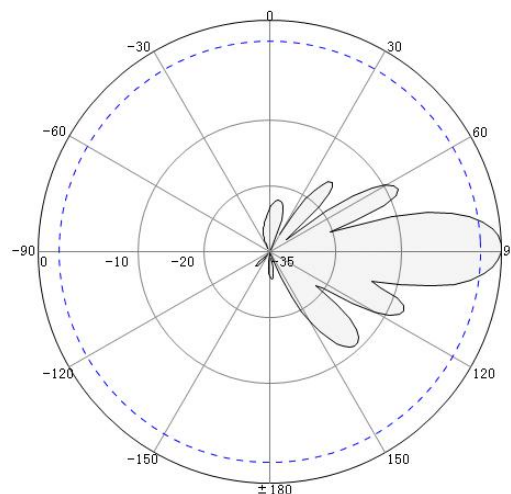
Installation Guide:



Directional Pattern:



2450MHz- Horizontal Pattern



2450MHz- Vertical Pattern