



XingYue Communication Technology Co., Ltd.

Product Name: Panel Antenna

Product Model: XY221401

Electrical Specifications

Frequency Range	3300-3800MHz
Polarization Type	$\pm 45^\circ$
Gain	16 dBi
VSWR	$\leq 1.7:1$
Horizontal Beamwidth	$22^\circ \pm 3^\circ$
Vertical Beamwidth	$22^\circ \pm 3^\circ$
Front-to-back Ratio	$\geq 28\text{dB}$
Isolation Between	$\geq 25\text{dB}$
Input Impedance	50 Ω
Max Power	100 W
Lightning Protection	DC Ground

Mechanical Specifications

Connector Type	2*N Female
Dimensions (L*W*H)	220*220*25mm (8.7*8.7*1.0in)
Radiating Element Material	Aluminum
Reflector Material	Aluminum
Weight	0.9kg
Radome Material	UABS
Radome Color	White
Mounting Pole	$\Phi 30 \sim 50\text{mm}$
Max Wind Velocity	200 km/h
Operating Temperature	$-40^\circ\text{C} \sim 60^\circ\text{C}$

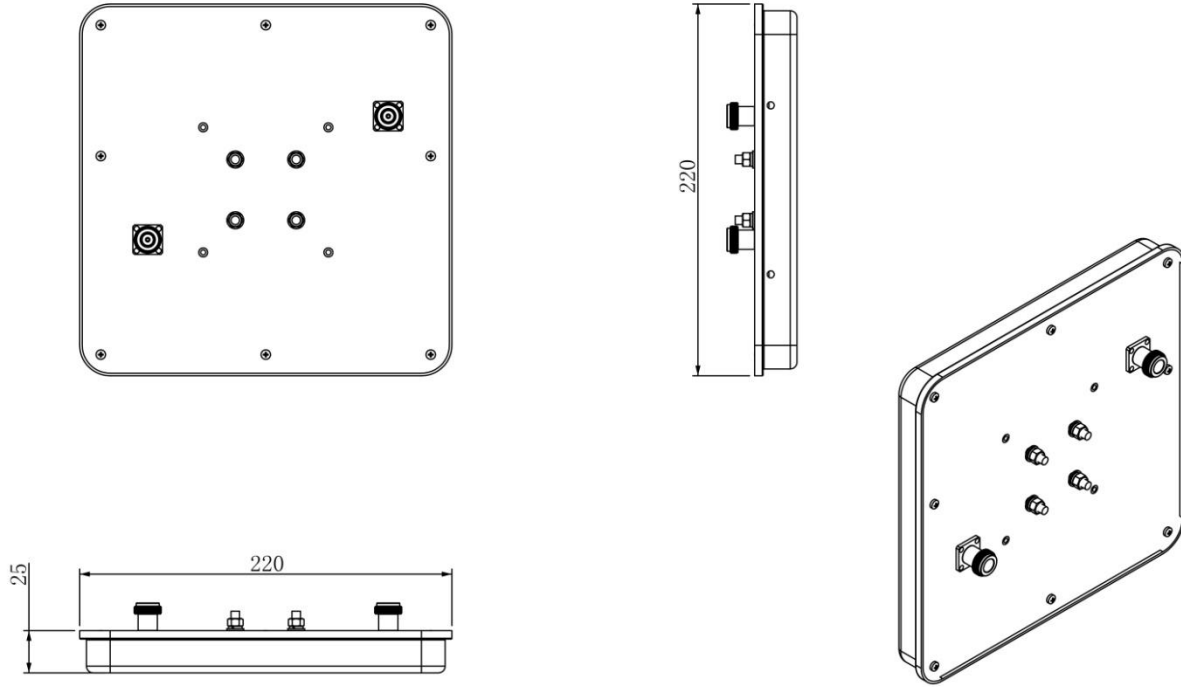


Add:No.11 GuangMing new RD, DongCheng area, DongGuan City, China
Tel: +86 - 769-22333955 **Fax:** +86 - 769-22000020
E-mail:xingyue@xytx86.com **Website:**<http://xytx86.com>

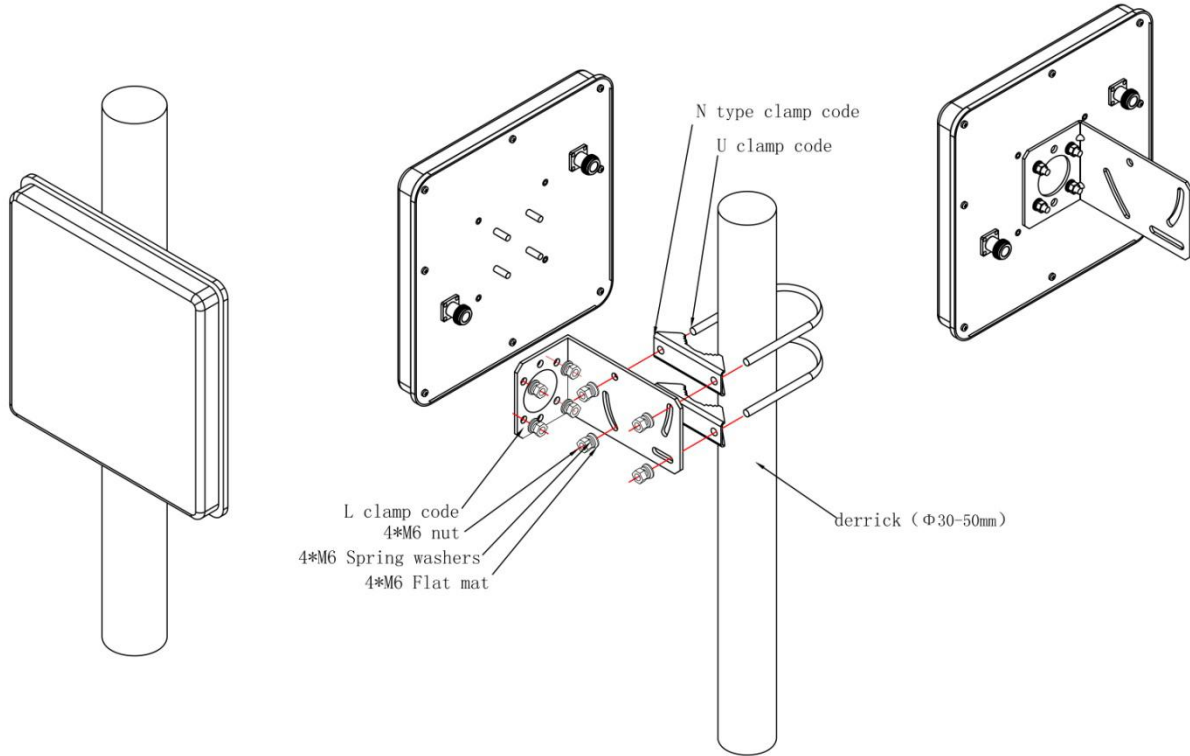


XingYue Communication Technology Co., Ltd.

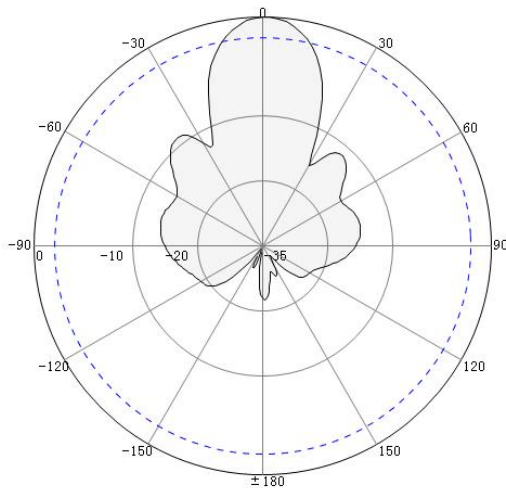
Product Diagram:



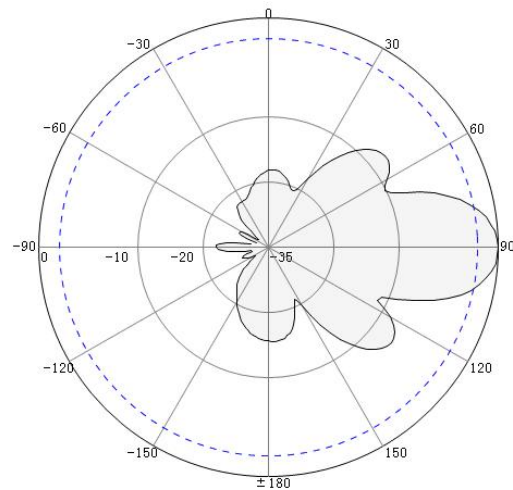
Installation Guide:



Directional Pattern:



3600MHz- Horizontal Pattern



3600MHz- Vertical Pattern