



XingYue Communication Technology Co., Ltd.

Product Name: Yagi Antenna

Product Model: XY014112

Electrical Specifications

| | |
|----------------------|-------------------------|
| Frequency Range | 470-860MHz |
| Polarization Type | Vertical and Horizontal |
| Gain | 7±1dBi |
| VSWR | ≤1.5:1 |
| Horizontal Beamwidth | 60°±5° |
| Vertical Beamwidth | 90°±8° |
| Front-to-back Ratio | ≥12dB |
| Input Impedance | 50 Ω |
| Max Power | 50 W |
| Lightning Protection | DC Ground |

Mechanical Specifications

| | |
|----------------------------|--------------------------------|
| Connector Type | N Female |
| Dimensions (L*W*H) | 532*354*90mm (20.9*13.9*3.5in) |
| Radiating Element Material | Aluminum |
| Reflector Material | Aluminum |
| Weight | 0.78kg |
| Mounting Pole | Φ30~50mm |
| Operating Temperature | -40°C~60°C |
| Max Wind Velocity | 200 km/h |
| Waterproof treatment | IP-65 |



Add:No.11 GuangMing new RD, DongCheng area, DongGuan City, China
Tel: +86 - 769-22333955
E-mail:xingyue@xytx86.com

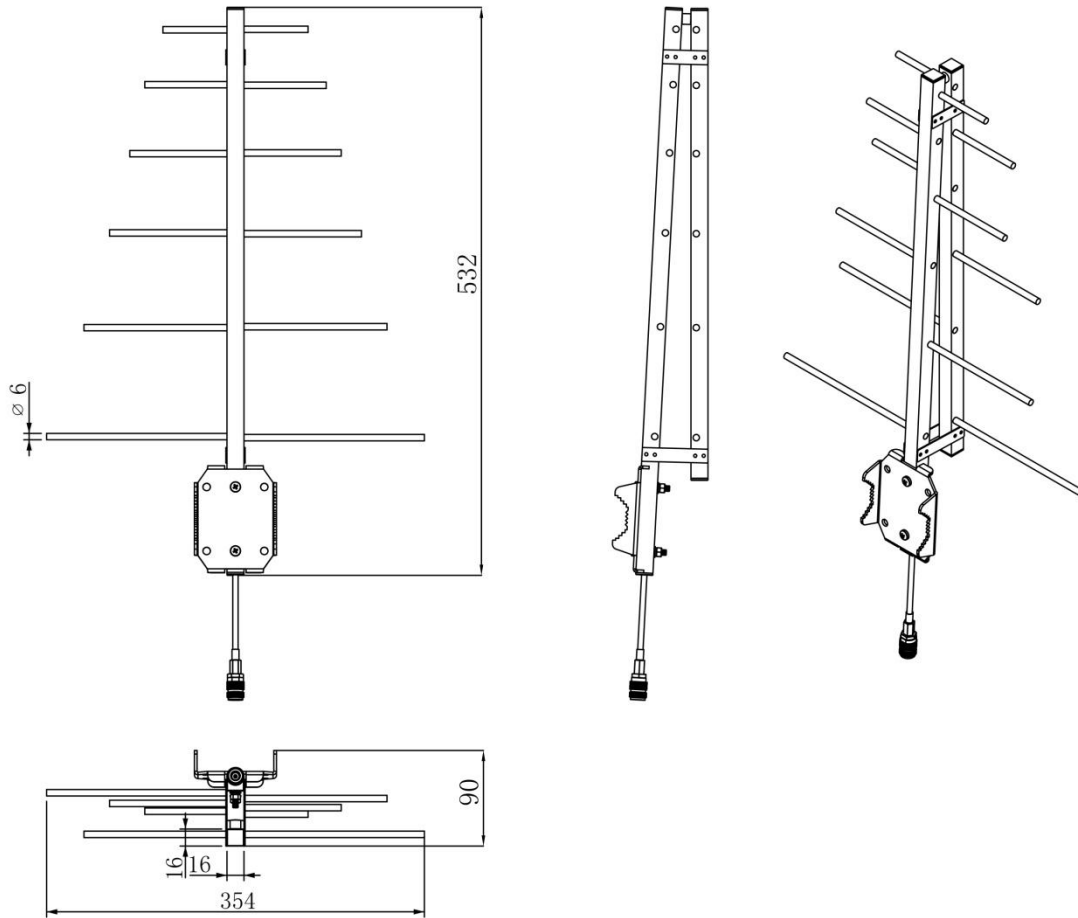
Fax: +86 - 769-22000020

Website:<http://xytx86.com>



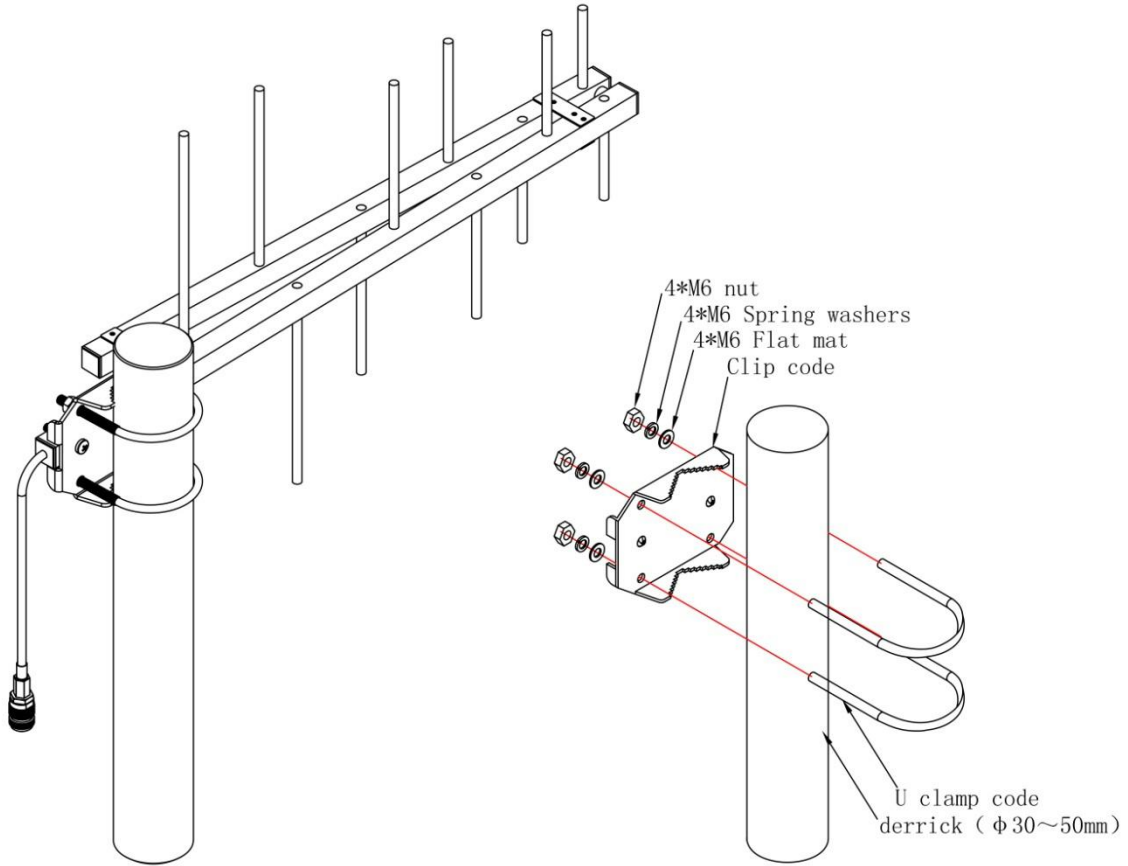
XingYue Communication Technology Co., Ltd.

Product Diagram:

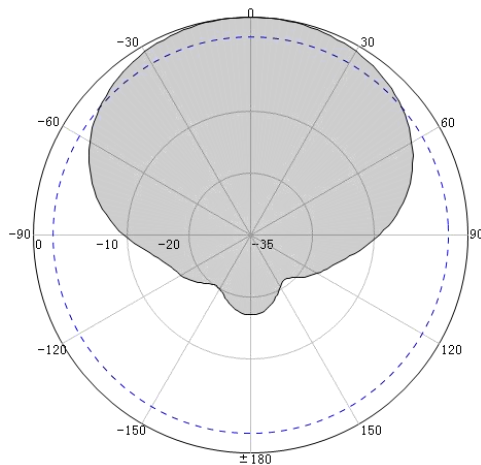


Add: No.11 GuangMing new RD, DongCheng area, DongGuan City, China
Tel: +86 - 769-22333955 Fax: +86 - 769-2200020
E-mail: xingyue@xytx86.com Website: <http://xytx86.com>

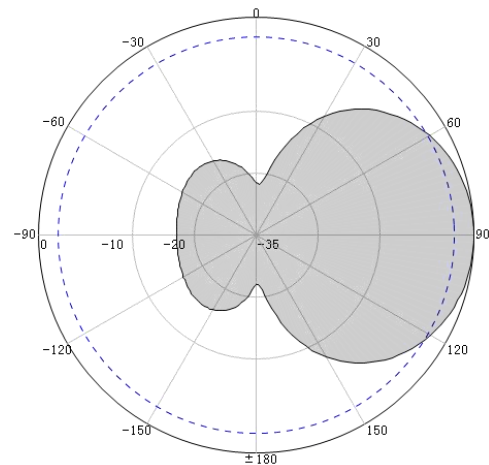
Installation Guide:



Directional Pattern:



600MHz-Horizontal Pattern



600MHz-Vertical Pattern