



XingYue Communication Technology Co.,Ltd.

Product Name: Fiberglass Antenna

Product Model: XY113610

Electrical Specifications

Frequency Range	698-800MHz	800-960MHz	1710-2700MHz
Polarization Type	Vertical		
Gain	2±1dBi	2.5±1dBi	4.5±1dBi
VSWR	≤1.8:1	≤1.7:1	≤1.7:1
Horizontal Beamwidth	360°	360°	360°
Vertical Beamwidth	85° ±5°	80° ±5°	55° ±10°
Out of Roundness	±1 dB	±1 dB	±2 dB
PIM3@ (2*43dBm)	≤-150dBc		
Input Impedance	50 Ω		
Max Power	50W		
Lightning Protection	DC Ground		

Mechanical Specifications

Connector Type	N Female
Dimensions (D*H)	φ 63*210mm(φ 2.5*8.3in)
Radiating Element Material	Aluminum
Weight	1.35kg
Radome Material	UABS
Radome Color	White
Mounting	Wall Mounting
Operating Temperature	-40°C~60°C

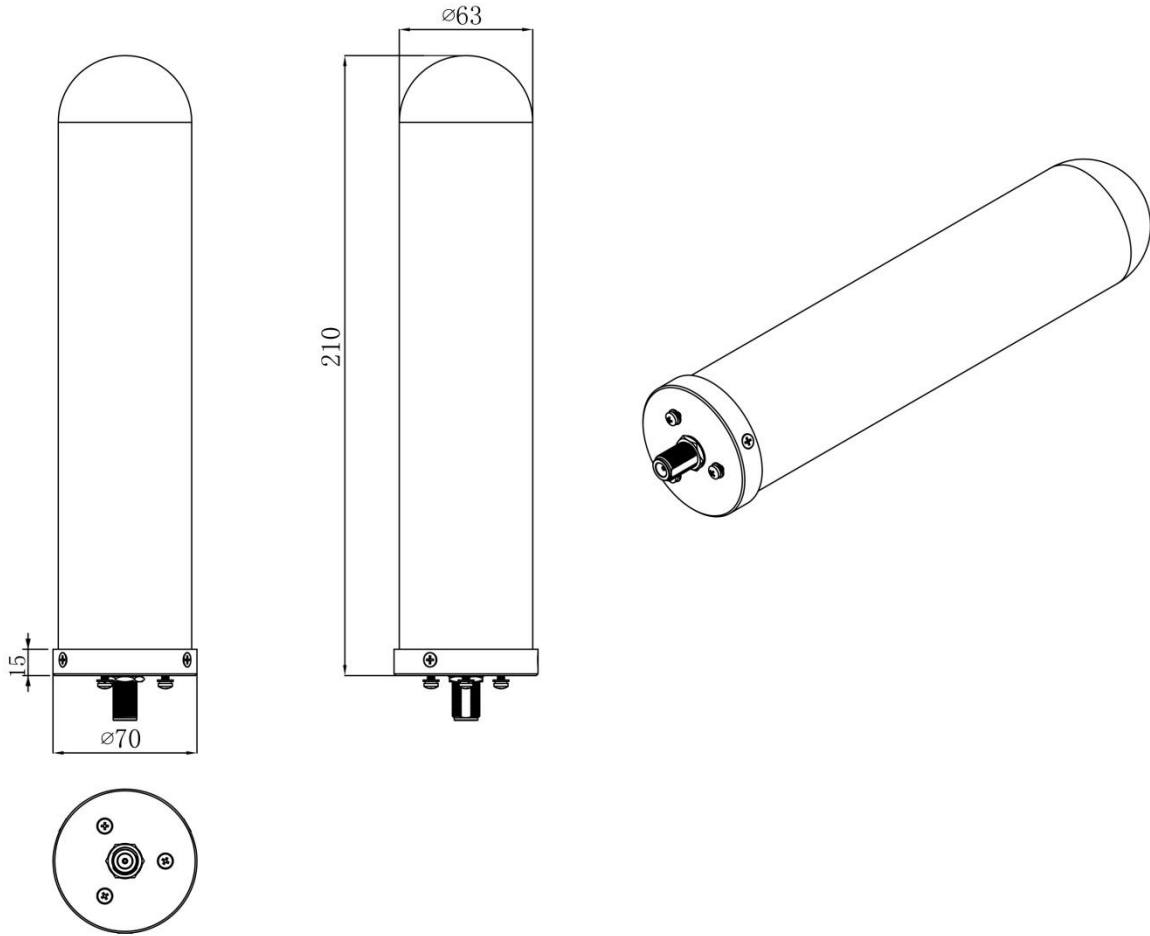


Add:No.11 GuangMing new RD, DongCheng area, DongGuan City, China
Tel: +86 - 769-22333955 Fax: +86 - 769-22000020
E-mail: xingyue@xytx86.com Website: <http://xytx86.com>

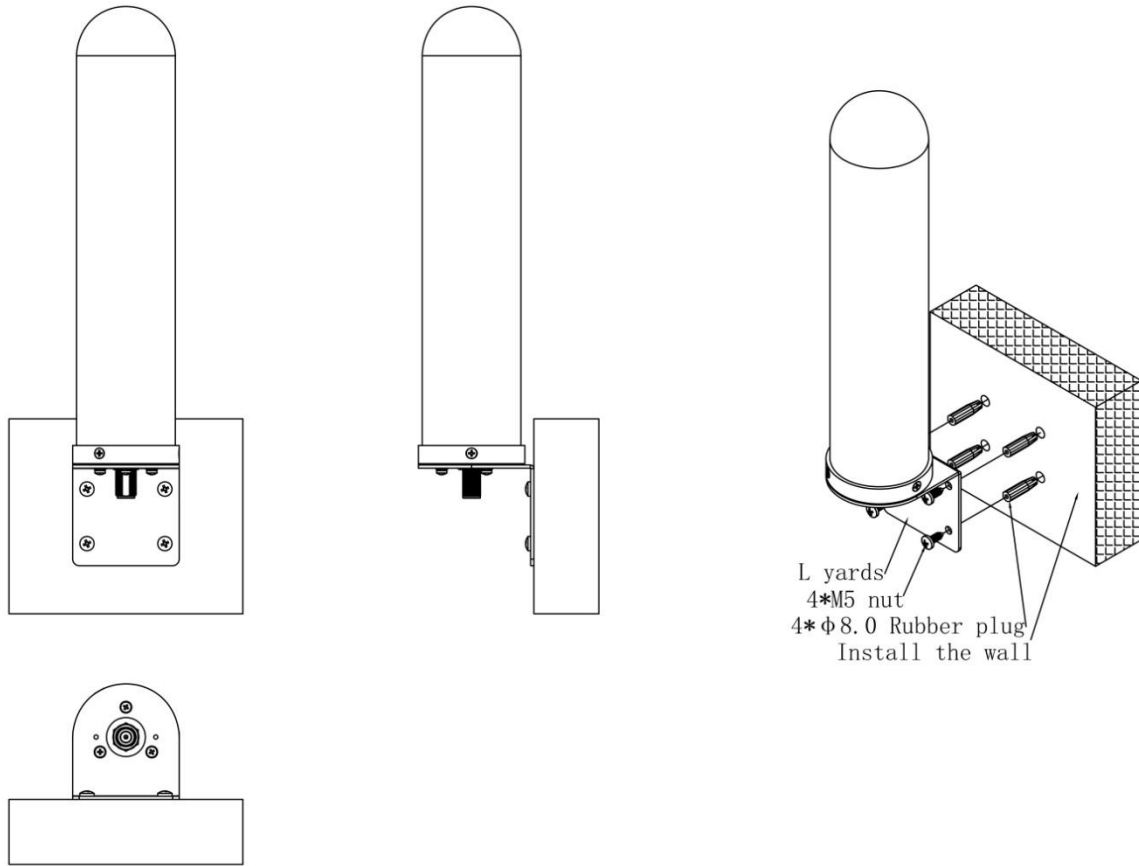


XingYue Communication Technology Co.,Ltd.

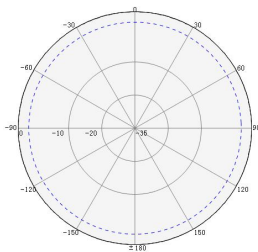
Product Diagram:



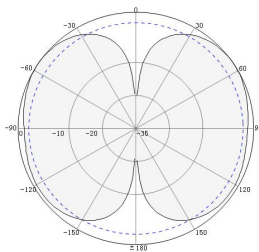
Installation Guide:



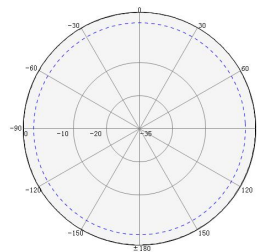
Directional Pattern:



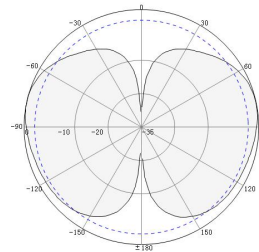
800MHz-H



800MHz-V



2500MHz-H



2500MHz-V

PS:

H: Horizontal Pattern

V: Vertical Pattern