



# XingYue Communication Technology Co., Ltd.

Product Name: Ceiling Antenna(20w)

Product Model: XY113617

## Electrical Specifications

Frequency Range	698-800MHz	800-960MHz	1710-2700MHz
Polarization Type	Vertical		
Gain	2.0±0.5dBi	2.5±0.5dBi	5.5±1dBi
VSWR	≤1.5:1	≤1.5:1	≤1.5:1
Horizontal Beamwidth	360°	360°	360°
Vertical Beamwidth	90° ±10°	80° ±10°	50° ±10°
Out of Roundness	±1°	±1°	±1.5°
PIM3@ (2*43dBm)	≤-150dBc		
Input Impedance	50 Ω		
Max Power	50W		
Lightning Protection	DC Ground		

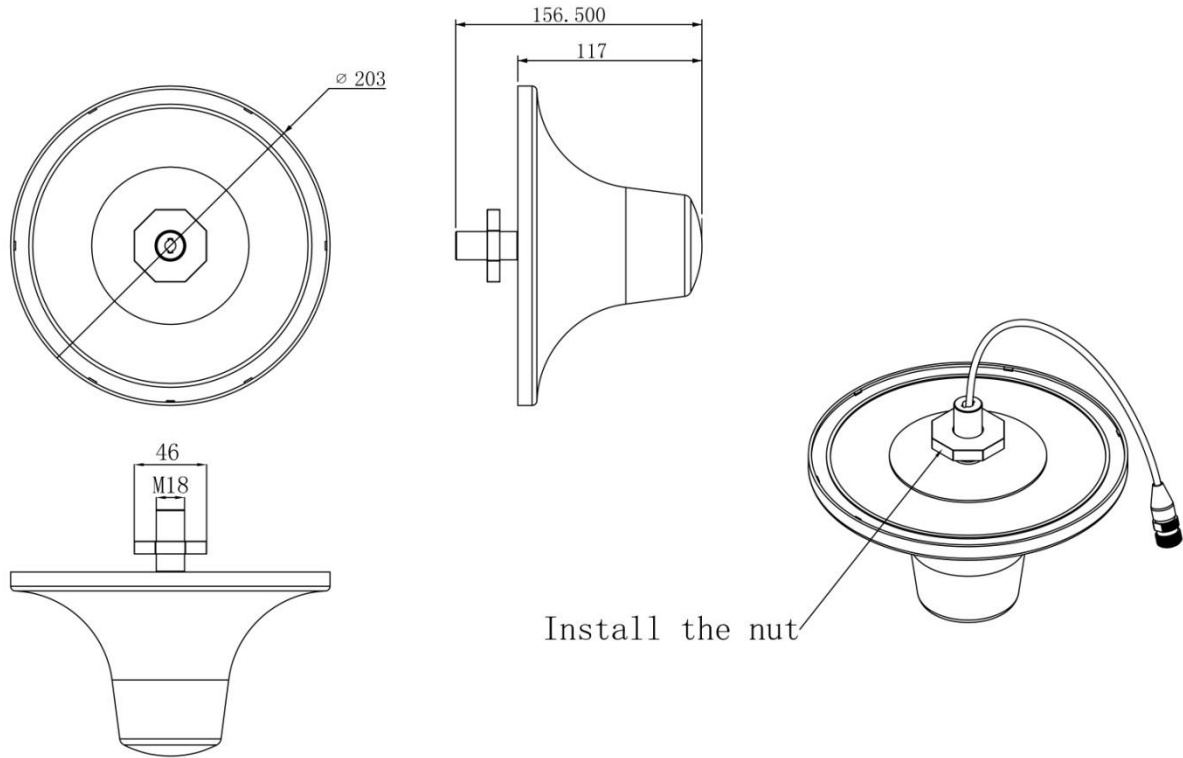
## Mechanical Specifications

Connector Type	N Female
Dimensions (D*H)	φ 203*117mm( φ 8.0*4.6in)
Radiating Element Material	Aluminum
Reflector Material	Aluminum
Weight	0.45kg
Radome Material	UABS
Radome Color	White
Mounting	Ceiling Mounting
Cable	RG141
Operating Temperature	-40°C~60°C

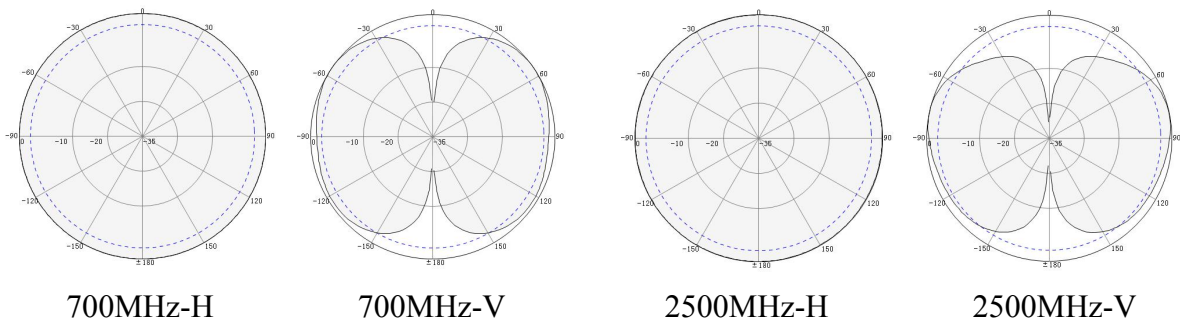


Add:No.11 GuangMing new RD, DongCheng area, DongGuan City,China  
Tel: +86 - 769-22333955 Fax: +86 - 769-22000020  
E-mail: [xingyue@xytx86.com](mailto:xingyue@xytx86.com) Website: <http://xytx86.com>

## Product Diagram:



## Directional Pattern:



PS:

H: Horizontal Pattern

V: Vertical Pattern