



# XingYue Communication Technology Co., Ltd.

Product Name: Spotlights Concealed Antenna

Product Model: XY127601

## Electrical Specifications

Frequency Range	820-960MHz	1710-2690MHz
Polarization Type	$\pm 45^\circ$	
Gain	8dBi	8.5dBi
VSWR	$\leq 1.5:1$	
Horizontal Beamwidth	$68^\circ \pm 10^\circ$	$65^\circ \pm 5^\circ$
Vertical Beamwidth	$63^\circ \pm 10^\circ$	$60^\circ \pm 5^\circ$
Front-to-back Ratio	$\geq 15\text{dB}$	$\geq 19\text{dB}$
Input Impedance	50 $\Omega$	
Max power	100W	
Lightning Protection	DC Ground	



## Mechanical Specifications

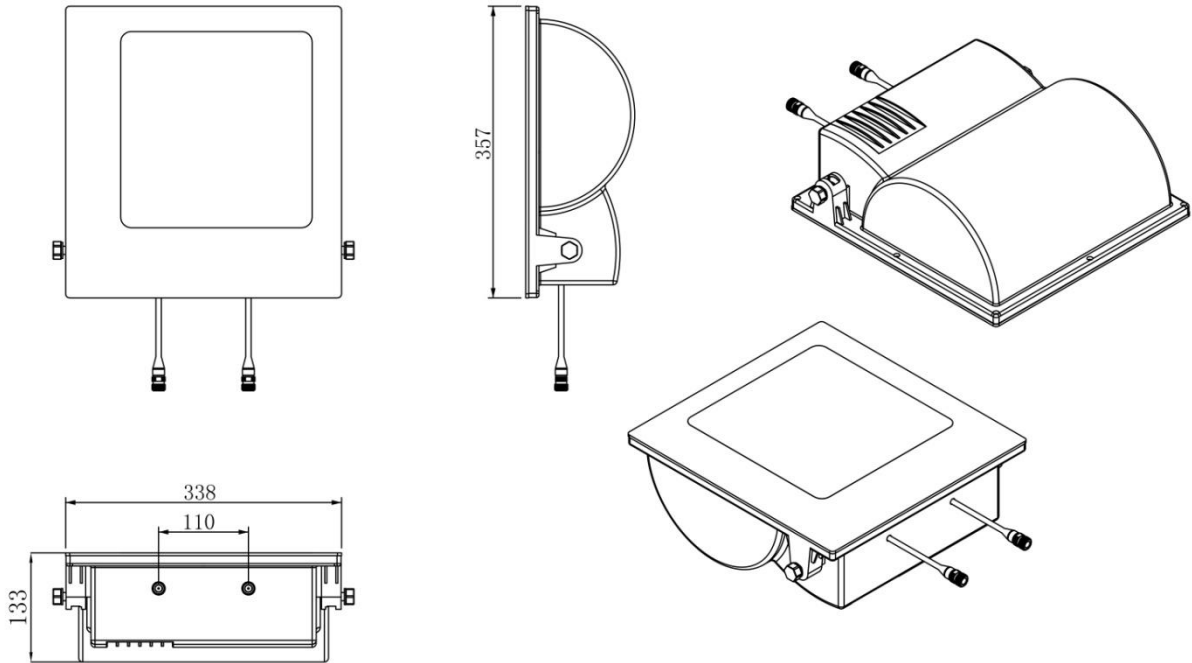
Connector Type	2*N Female
Dimensions (L*W*H)	357*338*133mm (14.1*13.3*5.2in)
Radiating Element Material	Aluminum
Reflector Material	Aluminum
Weight	2.2kg
Radome Material	UABS
Radome Color	White
Mounting Pole	Lawn Mounting
Operating Temperature	-40°C~60°C
Max Wind Velocity	200 km/h

Add: No.11 GuangMing new RD, DongCheng area, DongGuan City, China  
Tel: +86 - 769-22333955 Fax: +86 - 769-22000020  
E-mail: [xingyue@xytx86.com](mailto:xingyue@xytx86.com) Website: <http://xytx86.com>



# XingYue Communication Technology Co., Ltd.

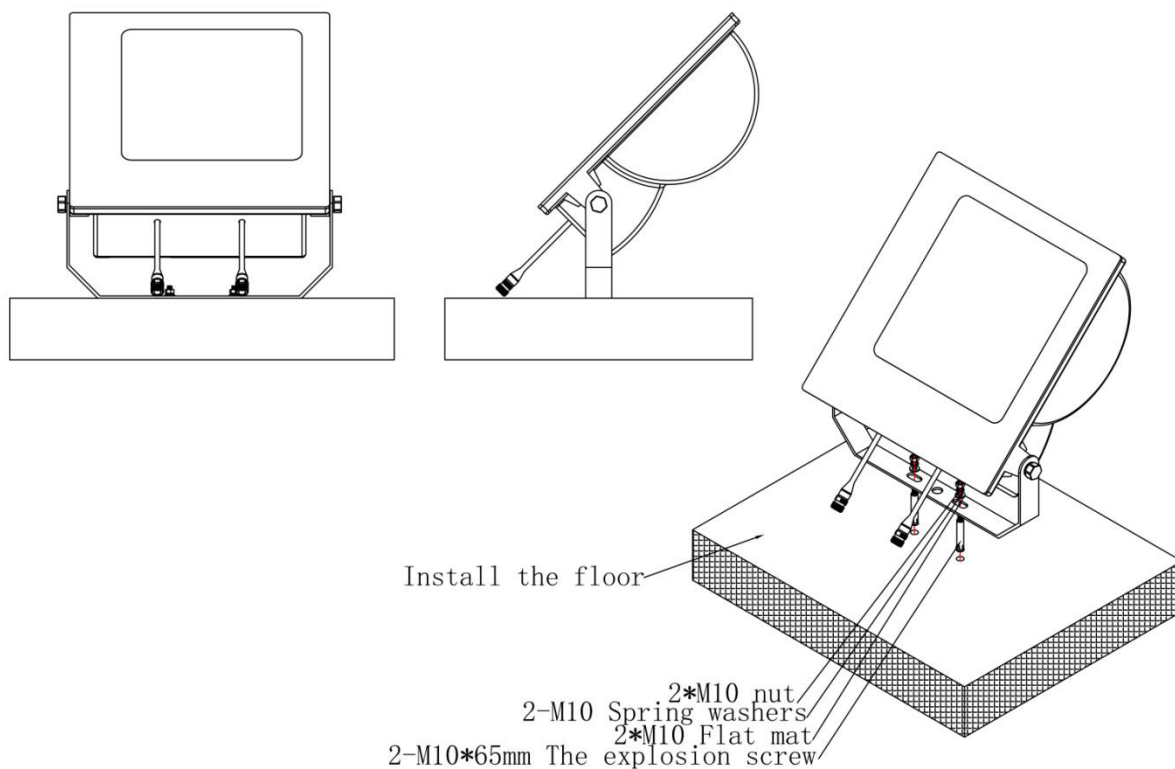
## Product Diagram:



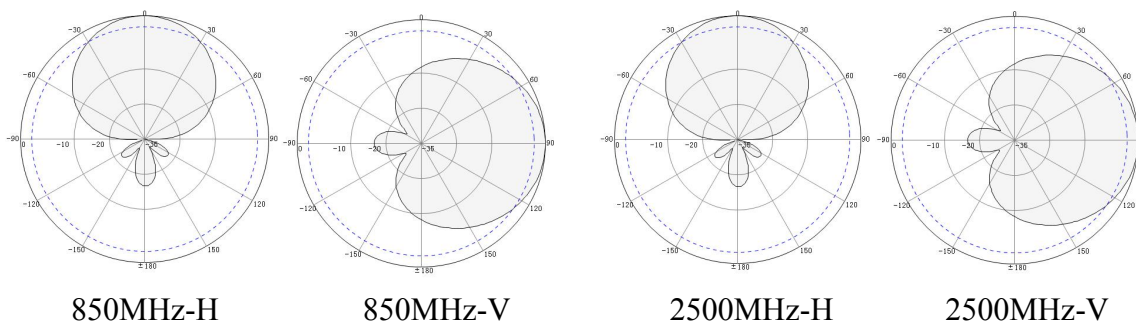
**Add:**No.11 GuangMing new RD, DongCheng area, DongGuan City, China  
**Tel:** +86 - 769-22333955  
**E-mail:**xingyue@xytx86.com

**Fax:** +86 - 769-2200020  
**Website:**<http://xytx86.com>

## Installation Guide:



## Directional Pattern:



PS:

H: Horizontal Pattern

V: Vertical Pattern