



XingYue Communication Technology Co., Ltd.

Product Name: Spotlights Concealed Antenna

Product Model: XY127701

Electrical Specifications

Frequency Range	1710-2690MHz
Polarization Type	$\pm 45^\circ$
Gain	13dBi
VSWR	$\leq 1.5:1$
Horizontal Beamwidth	$32^\circ \pm 7^\circ$
Vertical Beamwidth	$32^\circ \pm 7^\circ$
Front-to-back Ratio	$\geq 25\text{dB}$
Input Impedance	50Ω
Max power	100W
Lightning Protection	DC Ground



Mechanical Specifications

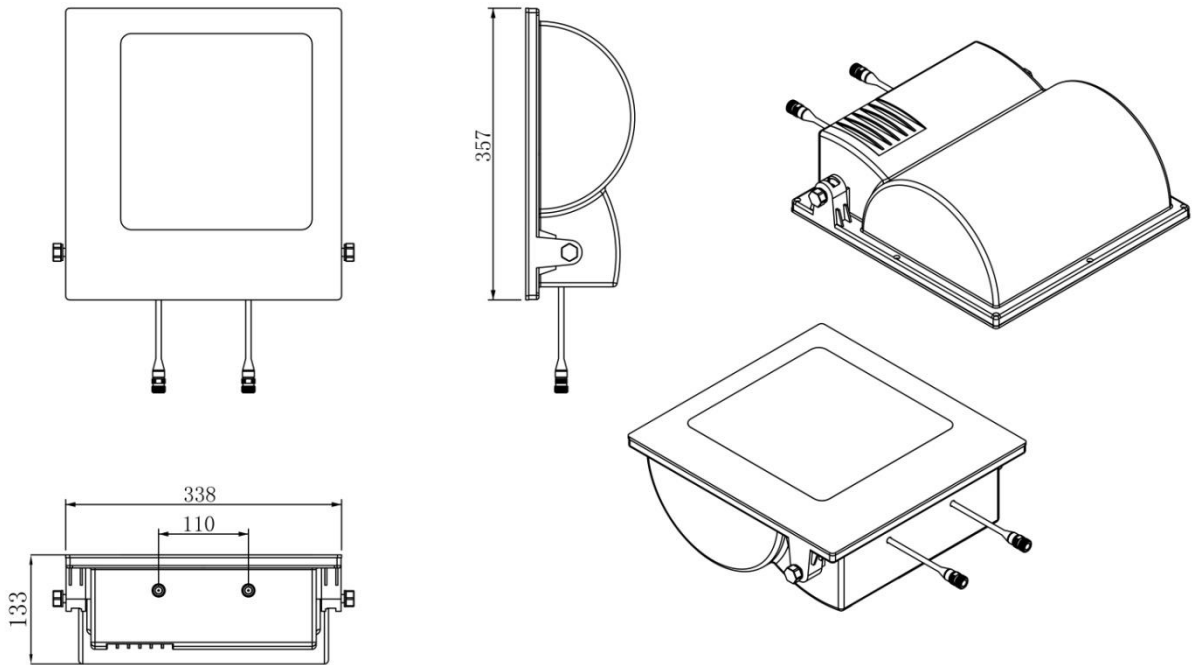
Connector Type	2*N Female
Dimensions (L*W*H)	357*338*133mm (14.1*13.3*5.2in)
Radiating Element Material	Aluminum
Reflector Material	Aluminum
Weight	2.2kg
Radome Material	UABS
Radome Color	White
Mounting Pole	Lawn Mounting
Operating Temperature	$-40^\circ\text{C} \sim 60^\circ\text{C}$
Max Wind Velocity	200 km/h

Add: No.11 GuangMing new RD, DongCheng area, DongGuan City, China
Tel: +86 - 769-22333955 Fax: +86 - 769-22000020
E-mail: xingyue@xytx86.com Website: <http://xytx86.com>



XingYue Communication Technology Co., Ltd.

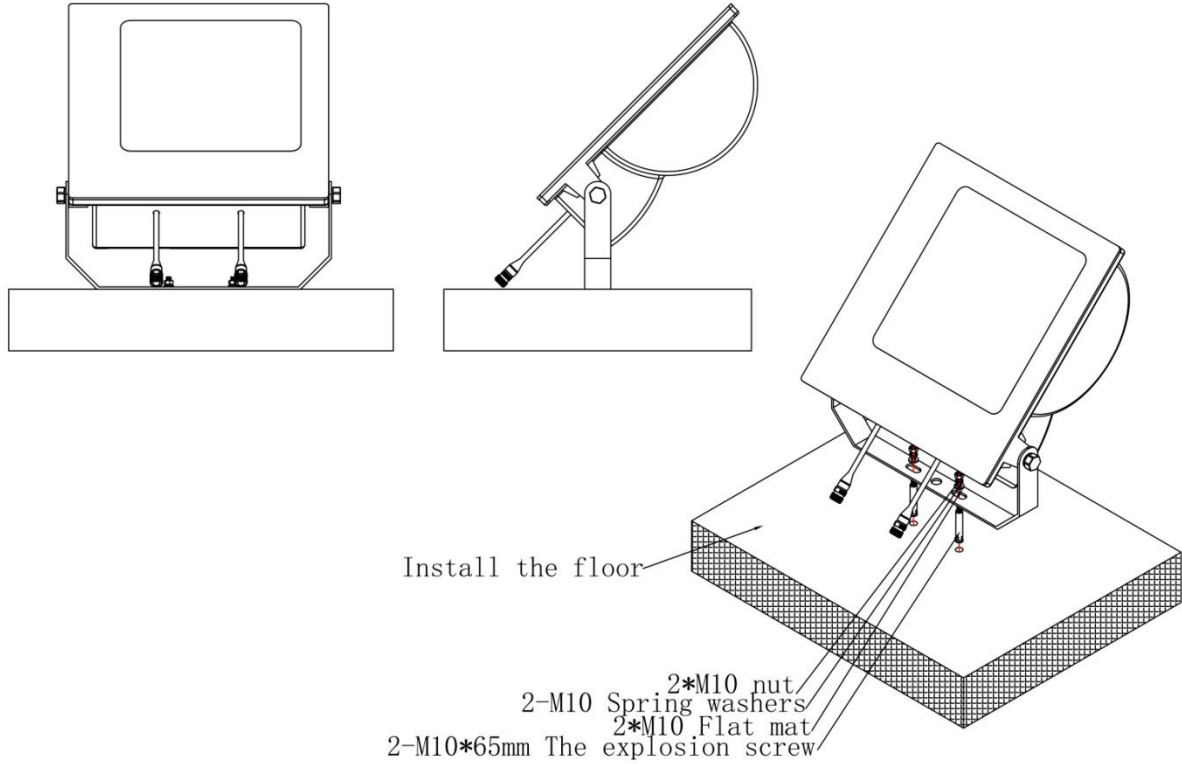
Product Diagram:



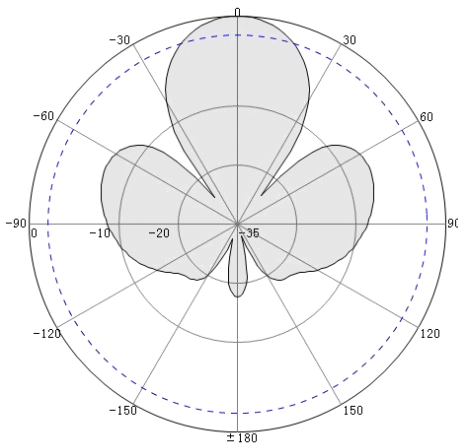
Add:No.11 GuangMing new RD, DongCheng area, DongGuan City, China
Tel: +86 - 769-22333955
E-mail:xingyue@xytx86.com

Fax: +86 - 769-2200020
Website:<http://xytx86.com>

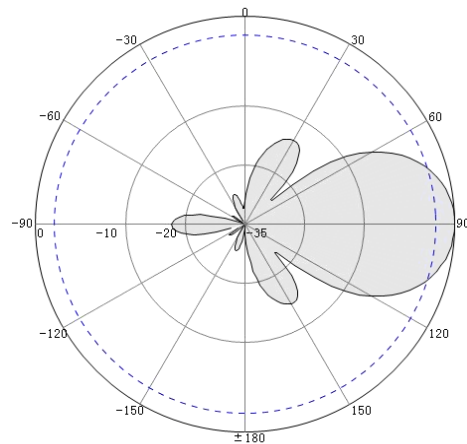
Installation Guide:



Directional Pattern:



2200MHz- Horizontal Pattern



2200MHz- Vertical Pattern